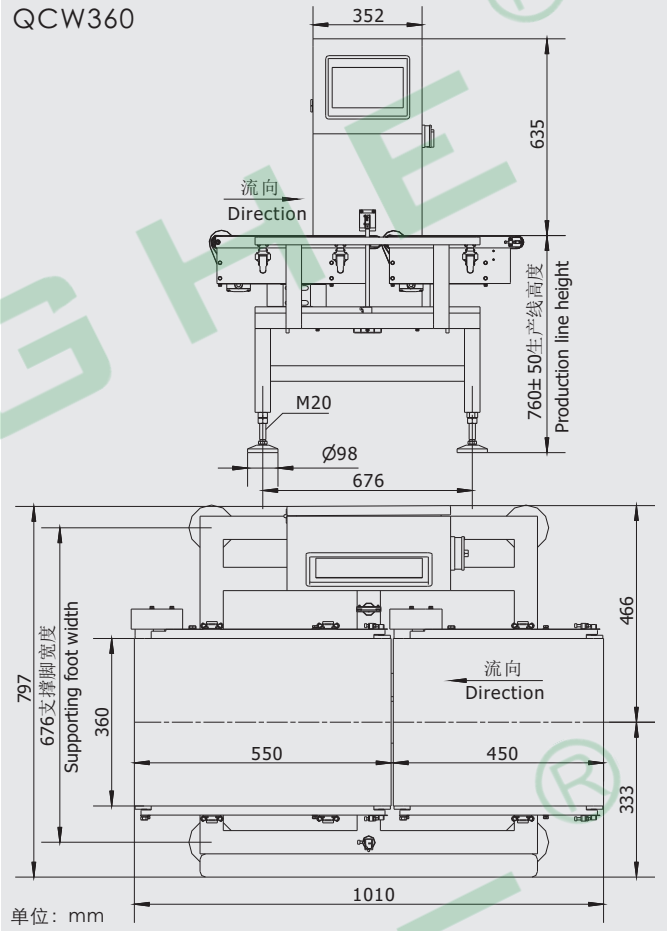


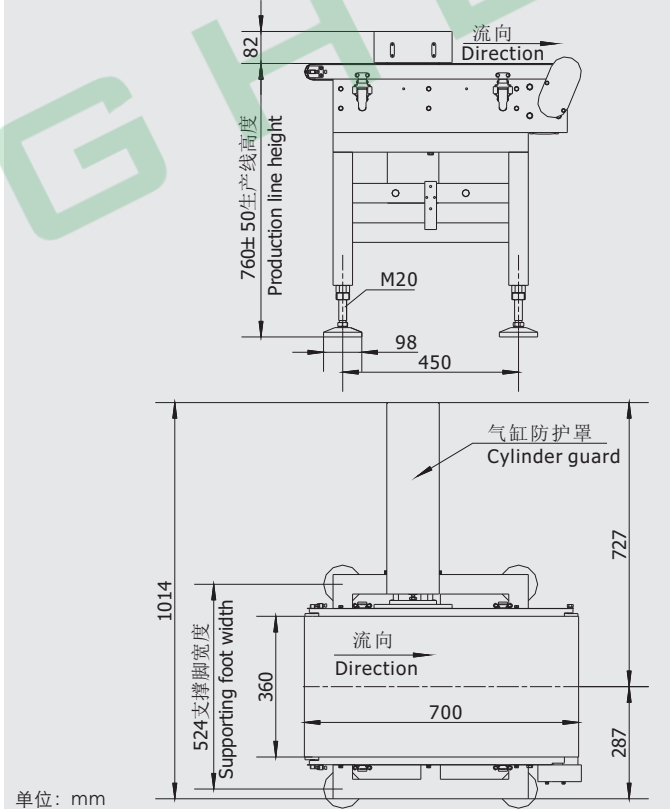
QCW360



QCW360



推选剔除 Push type rejector



技术规格 Specifications

型号Model	QCW360	
传感器量程 Loadcell Capacity	100kg	
称重范围Capacity	40~10000g	
显示分度Resolution	1g	
最高选别精度(3σ)* Accuracy(3σ)	±4g	
最高选别能力* Throughput	55~100pcs/min	
显示操作方式 Display	10#彩色触摸屏 10# color touch screen	
产品数量 Number of items	199种 199 items	
分选段数 Sorting section	2段 2 sections	
分选类别 Sorting type	推杆式 Push type rejector	
被测品 Product	长Length	90~400mm
	宽Width	5~320mm
	高Height	5~320mm
输送段速度 Conveyor belt speed	18~60m/min 调速方式: 变频器无级调速, 在触摸屏上操作 Speed control mode: Inverter stepless speed regulation, operation on touch screen	
一般技术规格 General specifications	<p>电源: 标配单相AC200~240V, 50/60Hz, 0.4kw, 可选三相AC380V,50/60Hz, 0.4kw 气源: 干燥的0.5~0.7MPa(5~7bar) 温度: 使用温度: 0°C~40°C, 储存温度: -20°C~60°C 湿度: 10~90%RH, 无冷凝 防护等级: IP30 噪声: ≤75db 机器重量: 约60kg 工作高度: 760±50mm (其它高度订货时确定) Power supply: Standard Single phase AC200~240V, 50/60Hz, 0.4kw Optional three phase AC380V,50/60Hz, 0.4kw Air supply: Dry 0.5~0.7MPa(5~7bar) Temperature: Operation temperature: 0°C~40°C, Storage temperature: -20°C~60°C Humidity: 10~90%RH, no condensation Protection level: IP30 Noise: ≤75db Machine weight: Approx. 60kg Conveyor height: 760±50mm (Other height can be determined when ordering)</p>	
材质 Material	<p>称重传感器: 不锈钢 电气柜: 不锈钢304 滚筒: 不锈钢304 输送机框架: 不锈钢304 结构: 不锈钢304 输送皮带: 绿色, 食品级, 聚氨脂热塑性塑料(TPU) Load cell: Stain steel Electrical cabinet: Stain steel 304 Roller: Stain steel 304 Conveyor frame: Stain steel 304 Structure: stainless steel 304 Conveyor belt: Green, food grade, thermoplastic polyurethane (TPU)</p>	

*最高选别能力和精度, 根据实际被测品、选别部和安装环境的不同而有所不同。

*Depends on the shape and rejector and the condition of the product and installation environment.