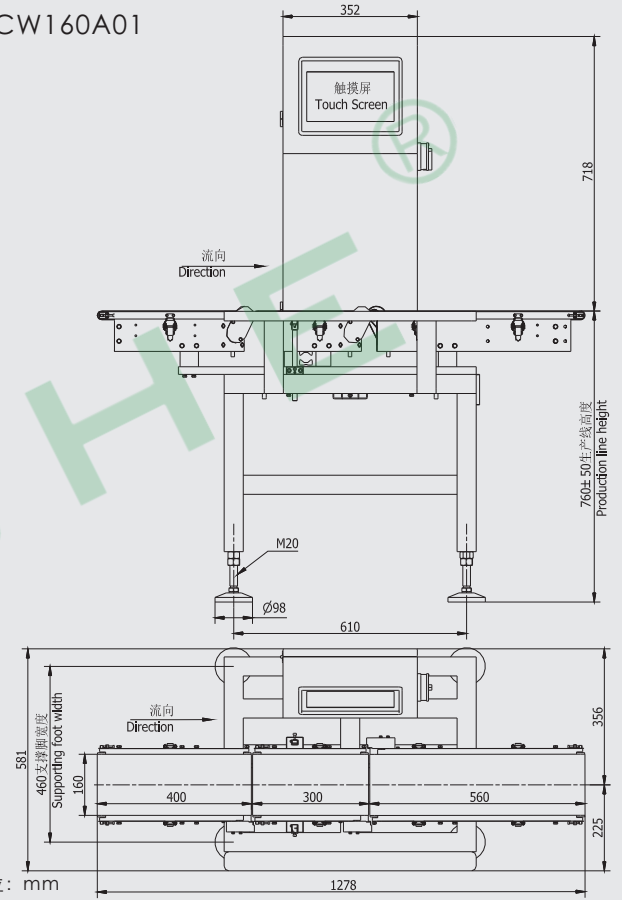


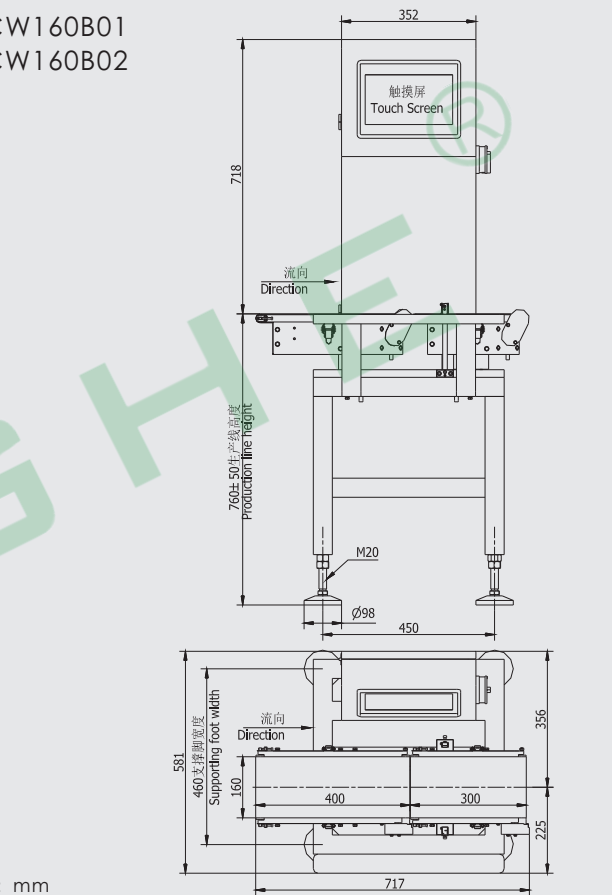
QCW160



QCW160A01



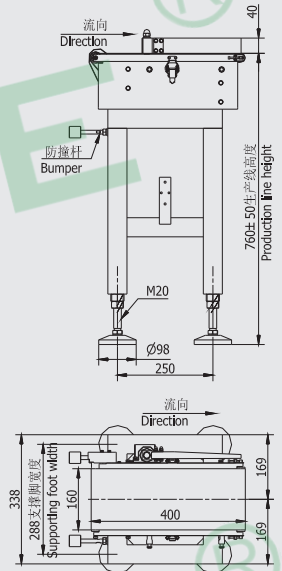
QCW160B01
QCW160B02



QCW160



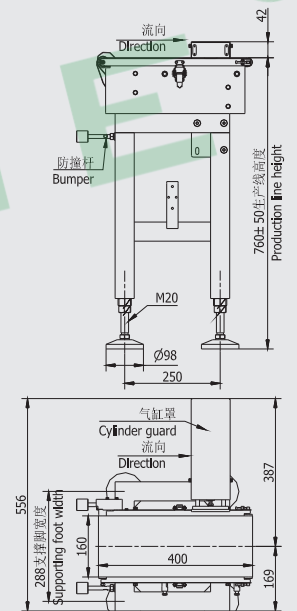
摆选剔除
Flipper type rejector



单位: mm



推选剔除
Push type rejector



单位: mm

技术规格 Specifications

型号Model	QCW160A01	QCW160B01	QCW160B02
传感器量程 Loadcell Capacity	10kg	10kg	20kg
称重范围Capacity	2~100g	2~320g	5~650g
显示分度Resolution	0.05g	0.05g	0.1g
最高选别精度(3σ)* Accuracy(3σ)	±0.2g	±0.2g	±0.4g
最高选别能力* Throughput	110~230(310*)pcs/min *加装过渡板(With transition plate)	110~230pcs/min	
显示操作方式 Display	10#彩色触摸屏 10# color touch screen		
产品数量 Number of items	199种 199 items		
分选段数 Sorting section	标准2段, 可选3段 Standard 2 sections, optional 3 sections		
分选类别 Sorting type	吹气式 Air jet type rejeter	标准挡杆式、推杆式, 可选坠落式 Flipper type rejector, Push type rejector, Optional conveyor drop type rejector	
被测品 Product	长Length	54~150mm(无过渡板No transition plate), 10~150mm(有过渡板With transition plate)	
	宽Width	5~140mm	
	高Height	1~100mm	1~130mm
输送段速度 Conveyor belt speed	15~86m/min, 调速方式: 直流无级调速, 在触摸屏上操作 Speed control mode: DC stepless speed regulation, operation on touch screen		
一般技术规格 General specifications	<p>电源: 标配单相AC200~240V, 50/60Hz, 0.4kw, 可选三相AC380V, 50/60Hz, 0.4kw 气源: 干燥的0.5~0.7MPa(5~7bar) 温度: 使用温度: 0°C~40°C, 储存温度: -20°C~60°C 湿度: 10~90%RH, 无冷凝 防护等级: IP30 噪声: ≤75db 机器重量: 约60kg 工作高度: 760±50mm (其它高度订货时确定) Power supply: Standard Single phase AC200~240V, 50/60Hz, 0.4kw Optional three phase AC380V, 50/60Hz, 0.4kw Air supply: Dry 0.5~0.7MPa(5~7bar) Temperature: Operation temperature: 0°C~40°C, Storage temperature: -20°C~60°C Humidity: 10~90%RH, no condensation Protection level: IP30 Noise: ≤75db Machine weight: Approx. 60kg Conveyor height: 760±50mm (Other height can be determined when ordering)</p>		
材质 Material	<p>称重传感器: 不锈钢 电气柜: 不锈钢304 滚筒: 不锈钢304 输送机框架: 不锈钢304 结构: 不锈钢304 输送皮带: 白色, 食品级, 聚氨脂热塑性塑料(TPU) Load cell: Stain steel Electrical cabinet: Stain steel 304 Roller: Stain steel 304 Conveyor frame: Stain steel 304 Structure: stainless steel 304 Conveyor belt: White, food grade, thermoplastic polyurethane (TPU)</p>		

*最高选别能力和精度, 根据实际被测品、选别部和安装环境的不同而有所不同。

*Depends on the shape and rejector and the condition of the product and installation environment.